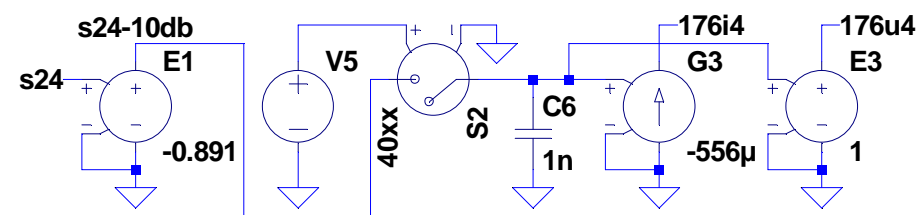


```

.model 40xx SW(Ron=10 Roff=10meg Vt=.5 Vh=-0.1)
;ac oct 128 1k 50k
.tran 0 12.1m 0 10n

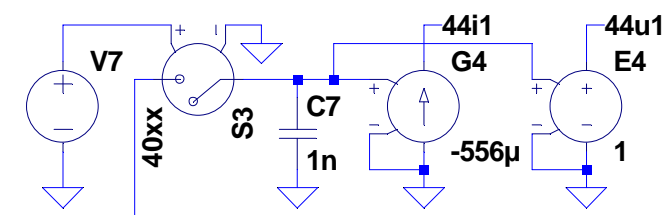
```



```

PULSE(0 1 0 10n 10n 250n 5.66893u)

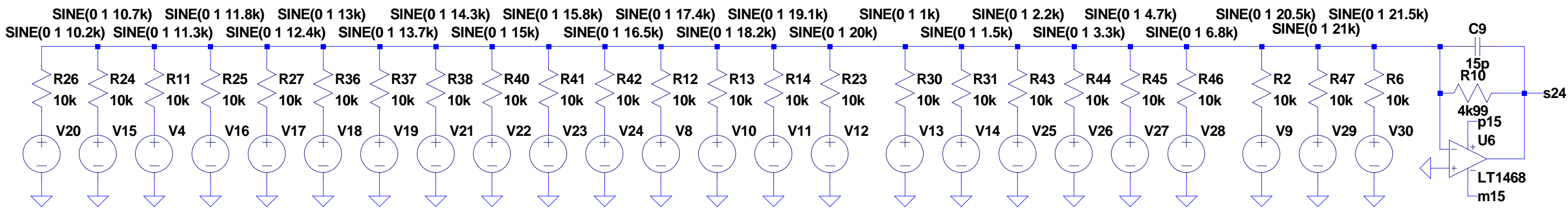
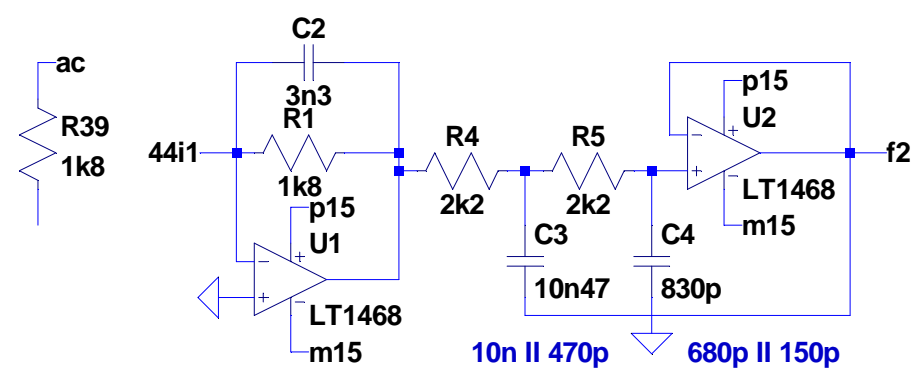
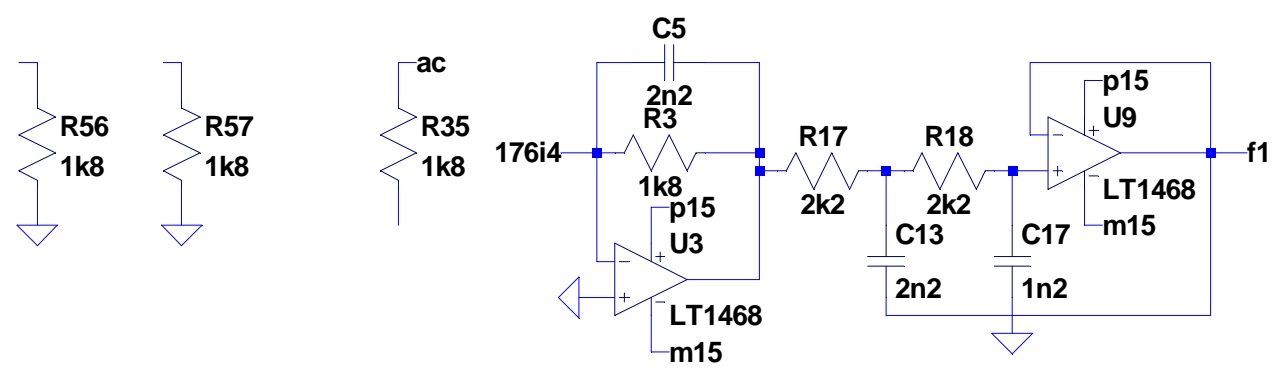
```



```

PULSE(0 1 0 10n 10n 250n 22.6757u)

```



```

.opt plotwinsize=0

```